

**DUAL MODE**



**SDL124SLD**

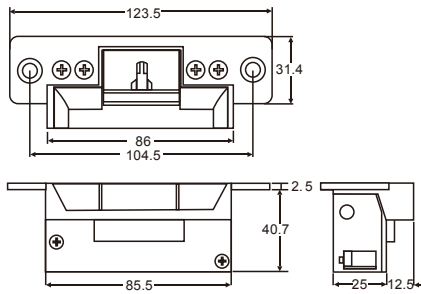


**SDL124SLD-EX**

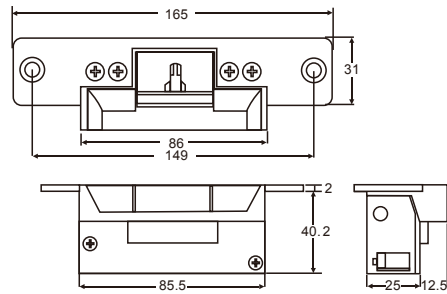
**General Feature**

- ★ DIMENSIONS:  
 DEL124SLD: 123.5mmLx31.4mmWx40.7mmD  
 Keeper Depth: 12.7mm  
 DEL124SLD-EX: 165mmLx31mmWx40.2mmD  
 Keeper Depth: 12.7mm
- ★ FACE PLATE DIMENSIONS:  
 DEL124SLD: 123.5mmLx31.4mmWx2.5mmT  
 DEL124SLD-EX: 165mmLx31mmWx2mmT
- ★ Modes:
- ★ DEL124SLD Aluminum face plate fail secure w/door, lock monitor 12VDC  
 DEL124SLD-EX Stainless steel face plate fail secure w/door, lock monitor 12VDC
- ★ Current: 260mA/12VDC or 150mA/24VDC (specify on order)
- ★ Fail Safe/Fail Secure: Site convertible from one mode to the other (Fail secure default, unless specify on order)

**SDL124SLD DIMENSION**



**SDL124SLD-EX DIMENSION**



**DUAL MODE**

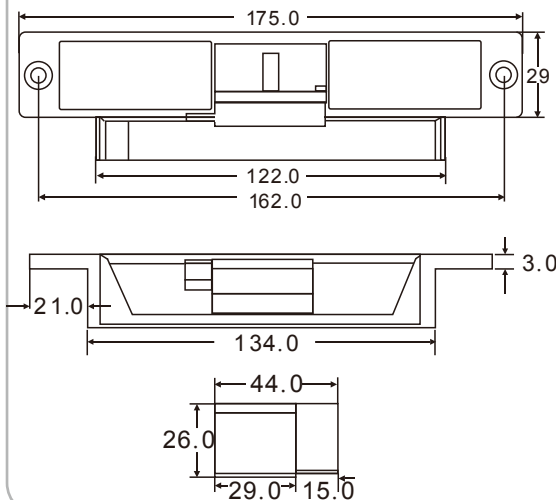


**DEL304SLD**

**General Feature**

- ★ DIMENSIONS:  
 DEL304SLD: 175mmLx29mmWx26mmD  
 Keeper Depth: 10.8mm  
 Face Plate: 175mmLx29mmWx3mmT
- ★ Mode: Stainless steel face plate fail secure w/door, lock sensor
- ★ Current:  
 280mA/12VDC or 140mA/24VDC (specify on order)  
 170mA/12VAC or 85mA/24VAC (specify on order)
- ★ Door Latch: 1/2" (12.7mm)
- ★ Site convertible from one mode to the other (Fail secure default, unless specify on order)

**DEL304SLD DIMENSION**



**INSTALLATION**

