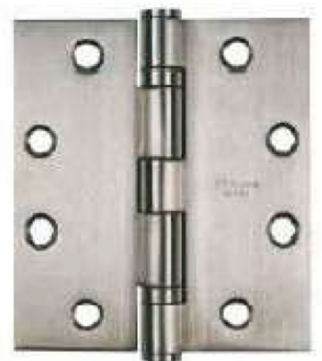
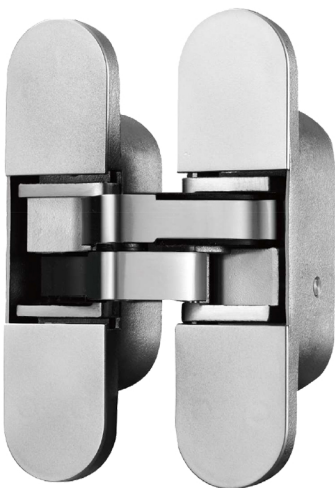




Heavy Duty Pivot Hinge

Adjustable Concealed Hinge

Butt Hinge





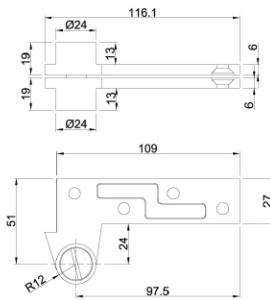
Compliance

 ANSI/BHMA 156.4, Grade 1

Material

Stainless steel (SUS304)

OPH20 HEAVY DUTY OFFSET PIVOT



Finish: SSS, PVD, PS

Application:

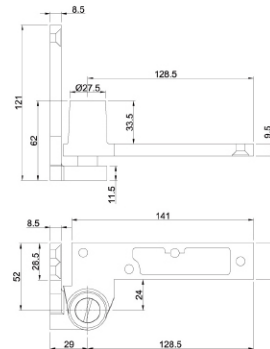
1. for wooden and steel doors.
2. Precision bearings for smooth operation
3. with dust proof.

Description:

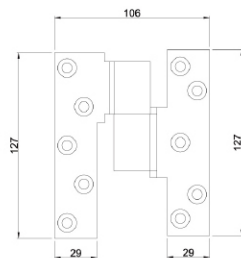
1. Handed.
2. Vertical adjustment 4.5mm.
3. Loading capacity 550LBS (250KGS)

Note:

When the loading capacity is more than 45 kgs, or when the door is higher than 2200mm, where needed to be configured single or multiple intermediated pivots.

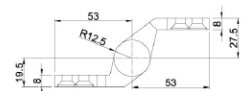


IPH20 INTERMEDIATE PIVOT



Description:

1. Handed.
2. Use with OPH20
3. Vertical adjustment 4.5mm.





Adjustable Concealed Hinge

ACH11230

Product Features

- Made of high-quality SUS304 stainless steel for durability and corrosion resistance.
- Can support doors weighing up to 80kgs.
- Allows a full 180° opening for easy access.
- Suitable for doors with a min. thickness of 40mm.
- Hidden from view when the door is closed, provide a sleek and modern appearance.
- Suitable for timber and metal doors.
- Designed for easy installation and user-friendly adjustments.



Technical details

Overall length: 112mm
width-door part: 30mm
width-frame part: 30mm

Max. door weight: 80kgs(2pcs)
Max. opening angle: 180°
Min. door thickness :40mm
Max. door width: 1000mm

2D adjustable range:
up and down ± 1.5 mm
front and back ± 1.5 mm



Finish



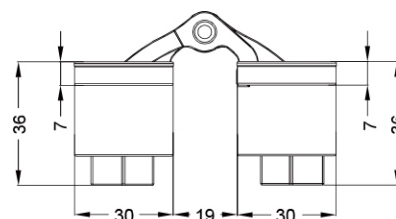
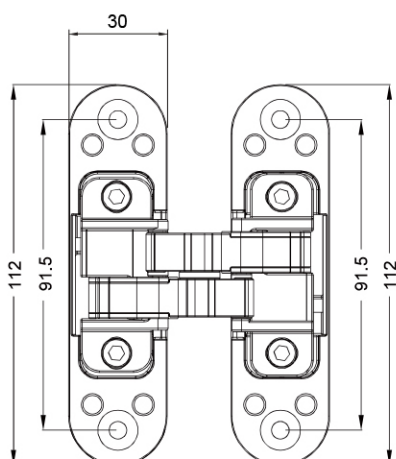
Satin



PVD



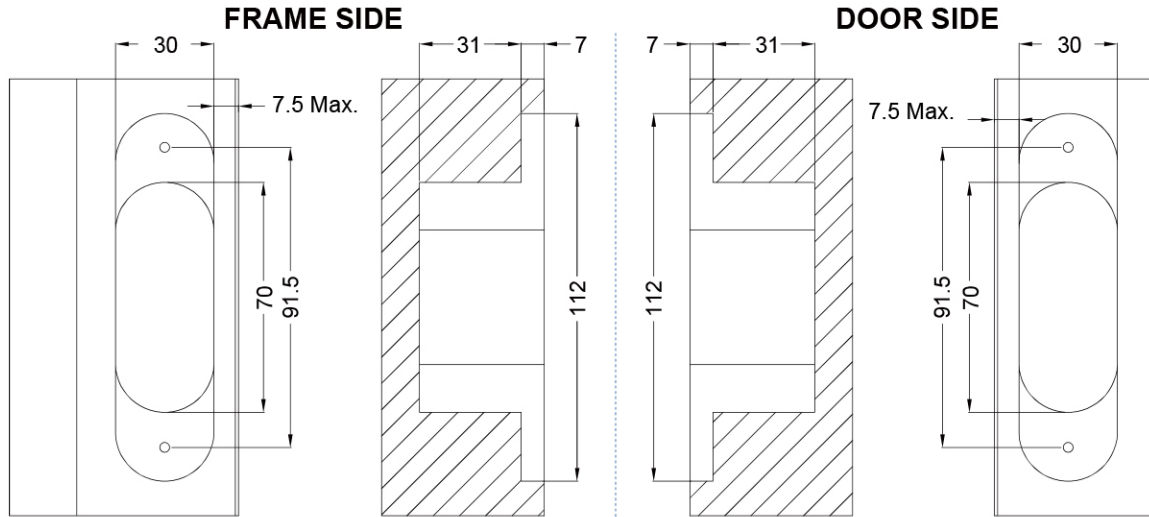
Black



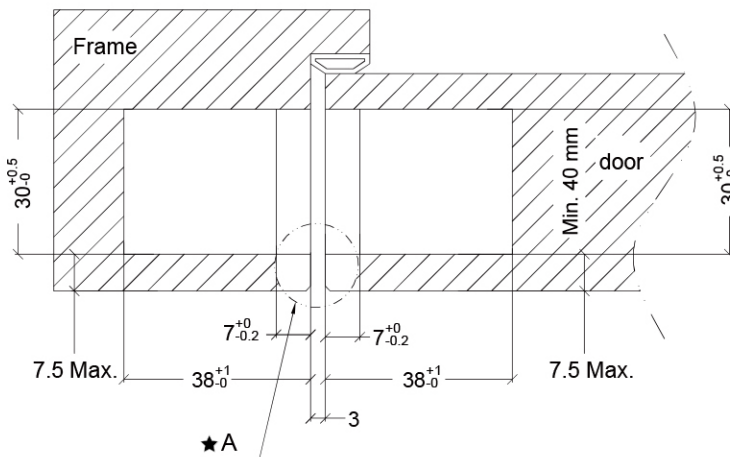


ACH11230 Adjustable Concealed Hinge

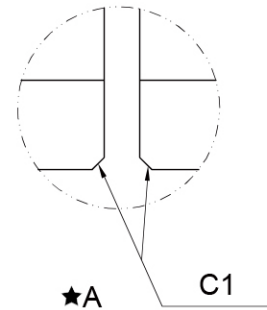
Milling Drawing



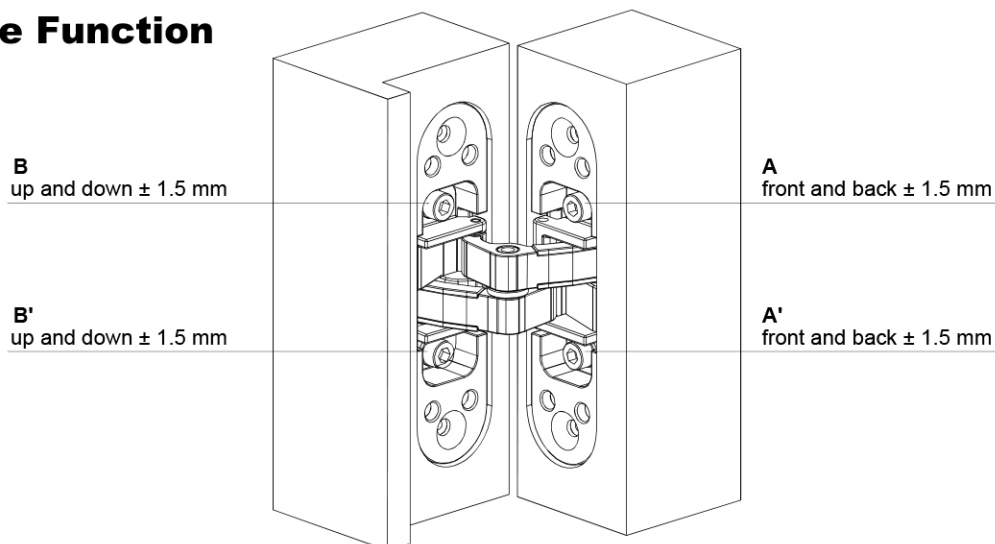
Installation Diagram



The edges of the door leaf and door frame at location A must be chamfered with a C1 chamfer.



Adjustable Function





Adjustable Concealed Hinge

ACH18945



Product Features

- Made of high-quality SUS304 stainless steel for durability and corrosion resistance.
- Can support doors weighing up to 200kgs.
- Allows a full 180° opening for easy access.
- Suitable for doors with a min. thickness of 55mm.
- Hidden from view when the door is closed, provide a sleek and modern appearance.
- Suitable for timber and metal doors.
- Designed for easy installation and user-friendly adjustments.

Technical details

Overall length: 189mm
width-door part: 45mm
width-frame part: 45mm

Max. door weight: 200kgs(2pcs)
Max. opening angle: 180°
Min. door thickness : 55mm
Max. door width: 1000mm

2D adjustable range:
up and down ± 2.0 mm
left and right ± 2.0 mm



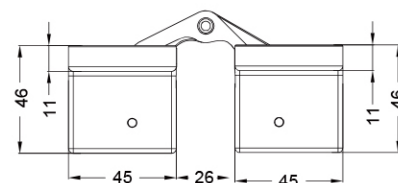
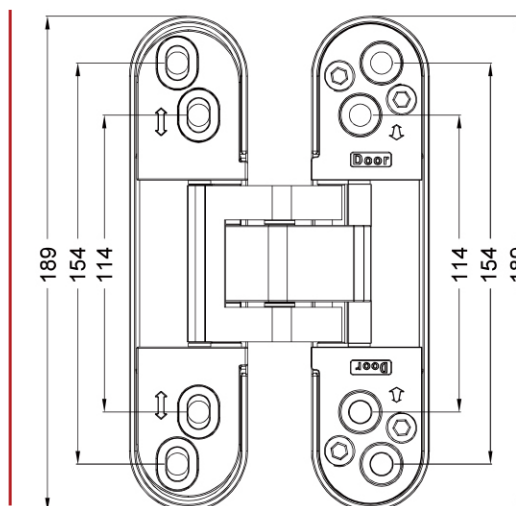
Finish



Satin

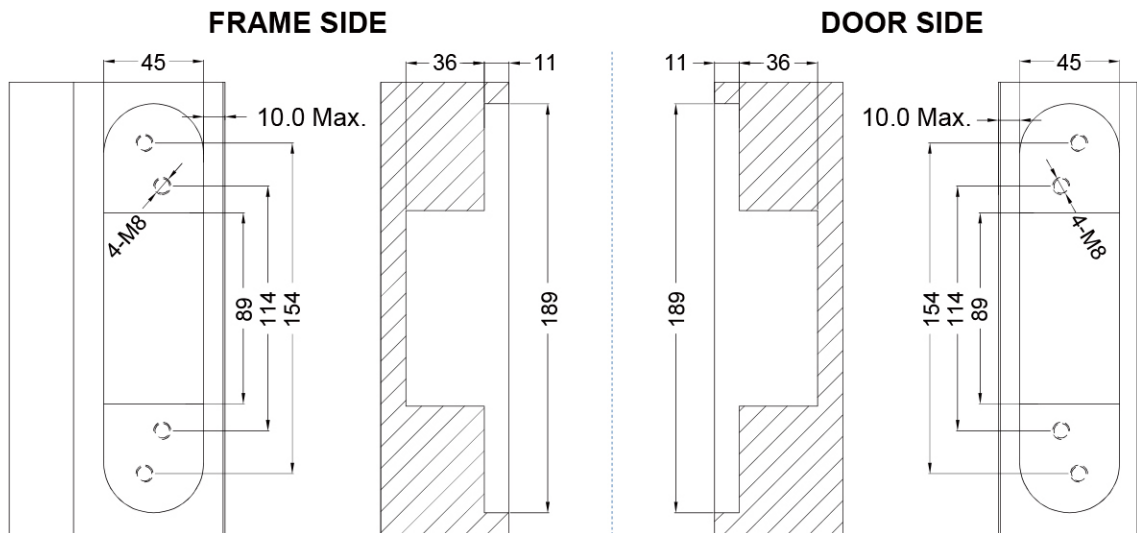


Black

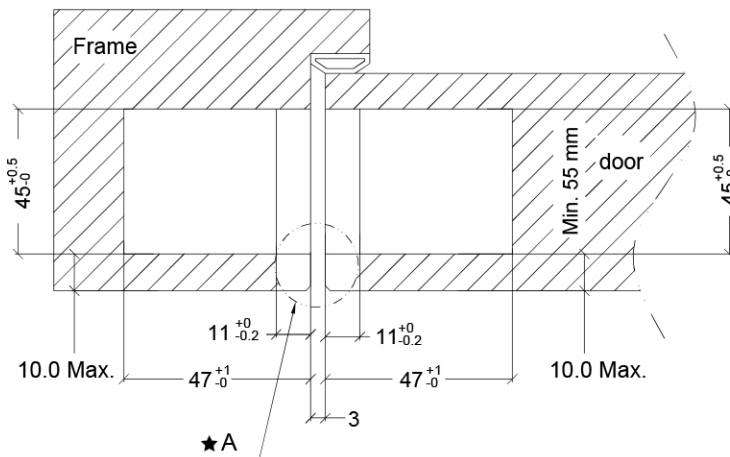


ACH18945 Adjustable Concealed Hinge

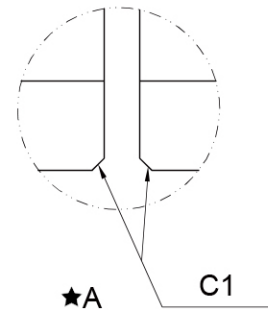
Milling Drawing



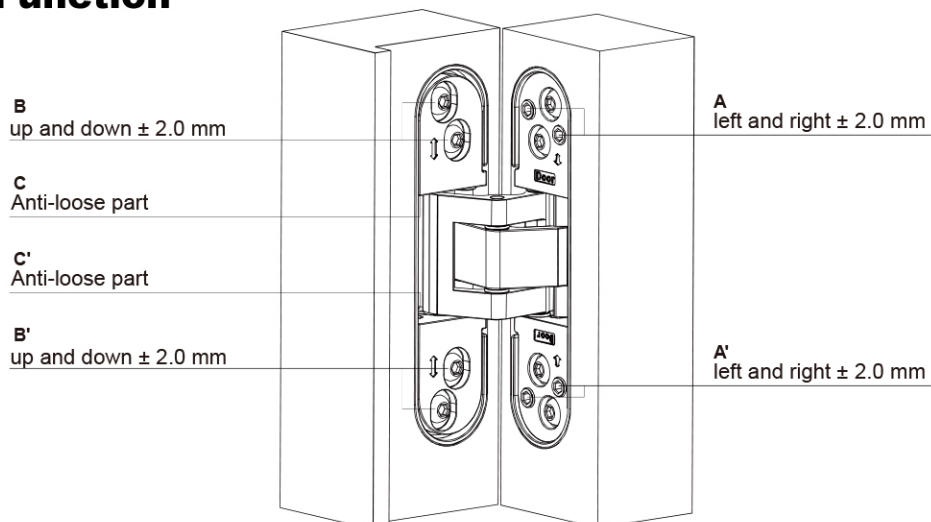
Installation Diagram



The edges of the door leaf and door frame at location A must be chamfered with a C1 chamfer.



Adjustable Function





Adjustable Concealed Hinge

ACH16030



Product Features

- Made of high-quality SUS304 stainless steel for durability and corrosion resistance.
- Can support doors weighing up to 120kgs.
- Allows a full 180° opening for easy access.
- Suitable for doors with a min. thickness of 40mm.
- Hidden from view when the door is closed, provide a sleek and modern appearance.
- Suitable for timber and metal doors.
- Designed for easy installation and user-friendly adjustments.
- Meet EN1935 standard.

Technical details

Overall length: 160mm
width-door part: 30mm
width-frame part: 30mm

Max. door weight: 120kgs(2pcs)
Max. opening angle: 180°
Min. door thickness : 40mm
Max. door width: 1000mm

3D adjustable range:
up and down ± 3.0 mm
front and back ± 1.0 mm
left and right $+3.5$ mm / -2.0 mm



Finish



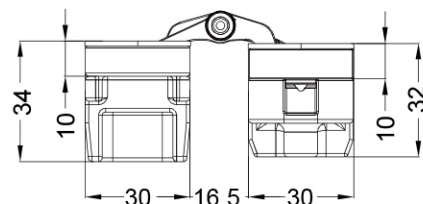
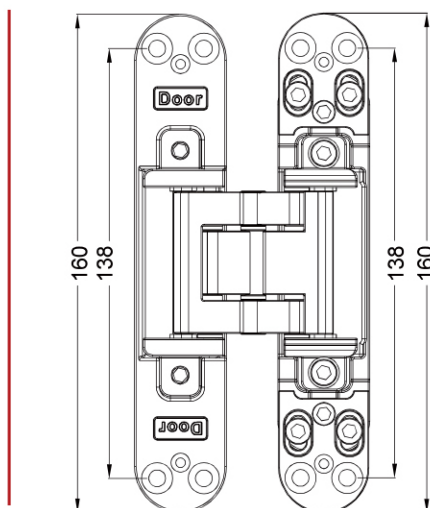
Satin



PVD

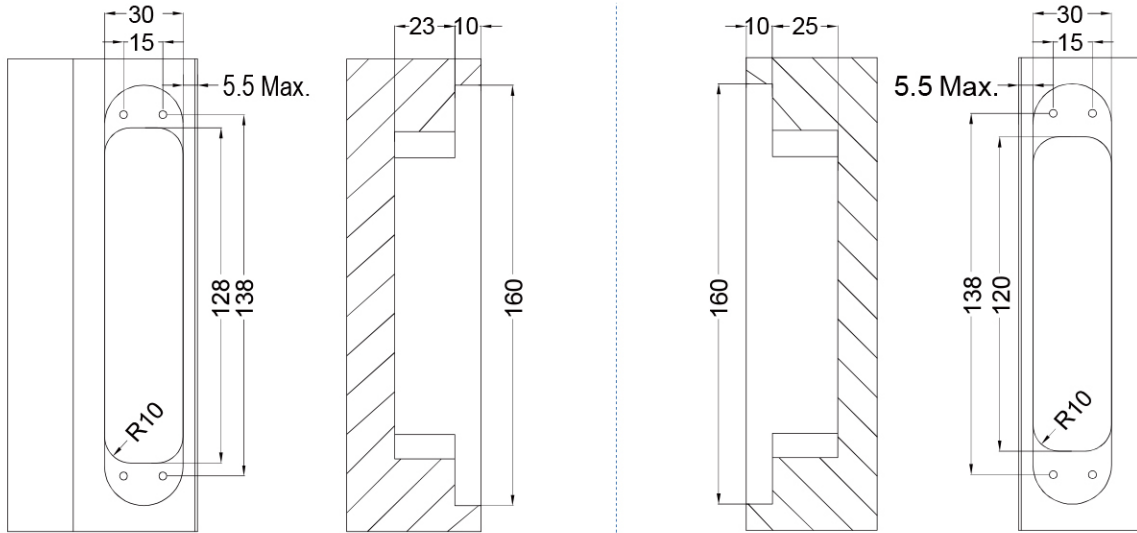


Black

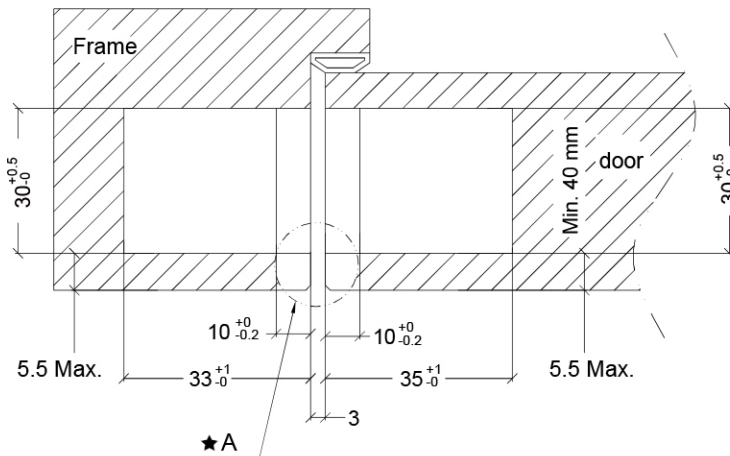


ACH16030 Adjustable Concealed Hinge

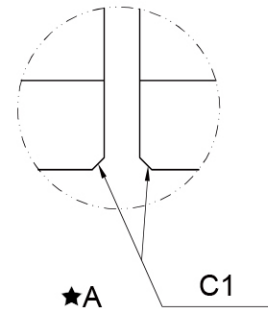
Milling Drawing



Installation Diagram



The edges of the door leaf and door frame at location A must be chamfered with a C1 chamfer.



Adjustable Function

C
up and down ± 3.0 mm

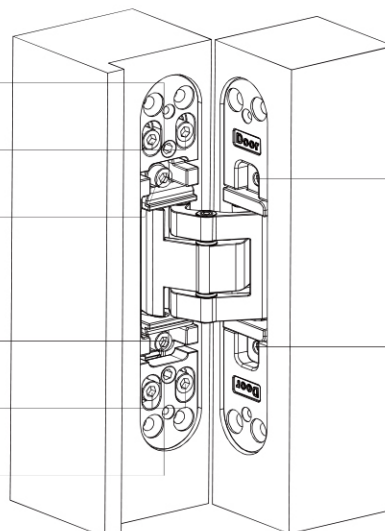
D
up and down fasten screw

B
up and down ± 1.0 mm

B'
front and back ± 1.0 mm

D'
up and down fasten screw

C'
up and down ± 3.0 mm



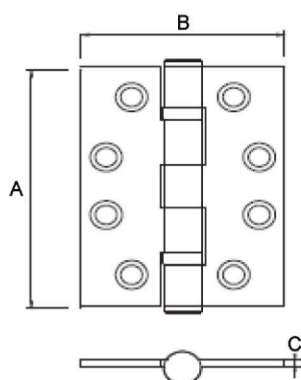
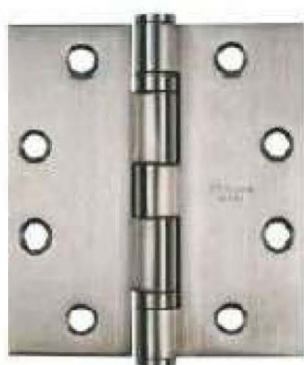
A
left and right $+ 3.5 / - 2.0$ mm

A'
left and right $+ 3.5 / - 2.0$ mm

2 Ball bearing Hinge



- Material: Steel/SS304
- Finish: Satin/US32D
- Screw: Wooden/Metal door screw * 8pcs/each
- Square corners default, round corners selectable
- Non-Removable Pin (NRP) for option
- Certifications: BHMA LISTING ANSI A156.1 & UL 10C



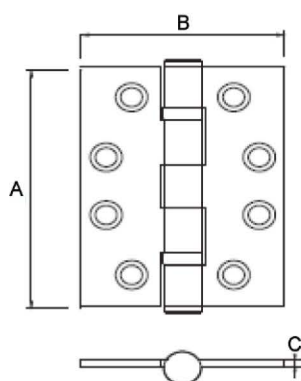
MODEL	Dimension (A x B)	Thickness
2BB4035	4.0" x 3.5"	3.0mm
2BB4030	4.0" x 3.0"	3.0mm
2BB4040	4.0" x 4.0"	3.0mm
2BB4545	4.5" x 4.5"	3.0mm
2BB4540	4.5" x 4.0"	3.0mm
2BB5035	5.0" x 3.5"	3.0mm
2BB5040	5.0" x 4.0"	3.0mm
2BB4545	4.5" x 4.5"	3.4mm
2BB4540	4.5" x 4.0"	3.4mm
2BB5045	5.0" x 4.5"	3.7mm
2BB5040	5.0" x 4.0"	3.7mm

* 3.7mm thickness UL pending.

4 Ball bearing Hinge



- Material: Steel/SS304
- Finish: Satin/US32D
- Screw: Wooden/Metal door screw * 8pcs/each
- Non-Removable Pin (NRP) for option
- Certifications: BHMA LISTING ANSI A156.1 & UL 10C



MODEL	Dimension (A x B)	Thickness
4BB4540	4.5" x 4.0"	4.6mm
4BB4545	4.5" x 4.5"	4.6mm
4BB5045	5.0" x 4.5"	4.8mm
4BB5050	5.0" x 5.0"	4.8mm









BSI Agent

KEYLINE CONSULTING SDN BHD


 Ground Floor, Wisma Pineapple, Lot 135, Jalan
1/89B, 3 1/2 Miles Off Jalan Sungai Besi, 57100
Kuala Lumpur, Malaysia

 info@keyline.com.my

 Joey See +6012 2065362
Michael Pan +6012 2023099



BSI Security Co., Ltd

 sales@bsi-hardware.com

 www.bsi-hardware.com