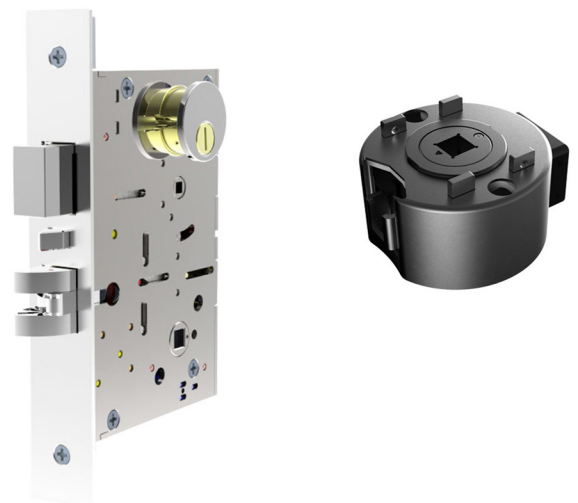
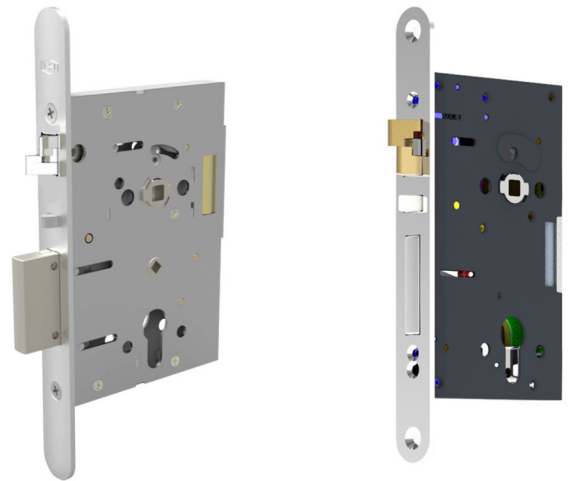
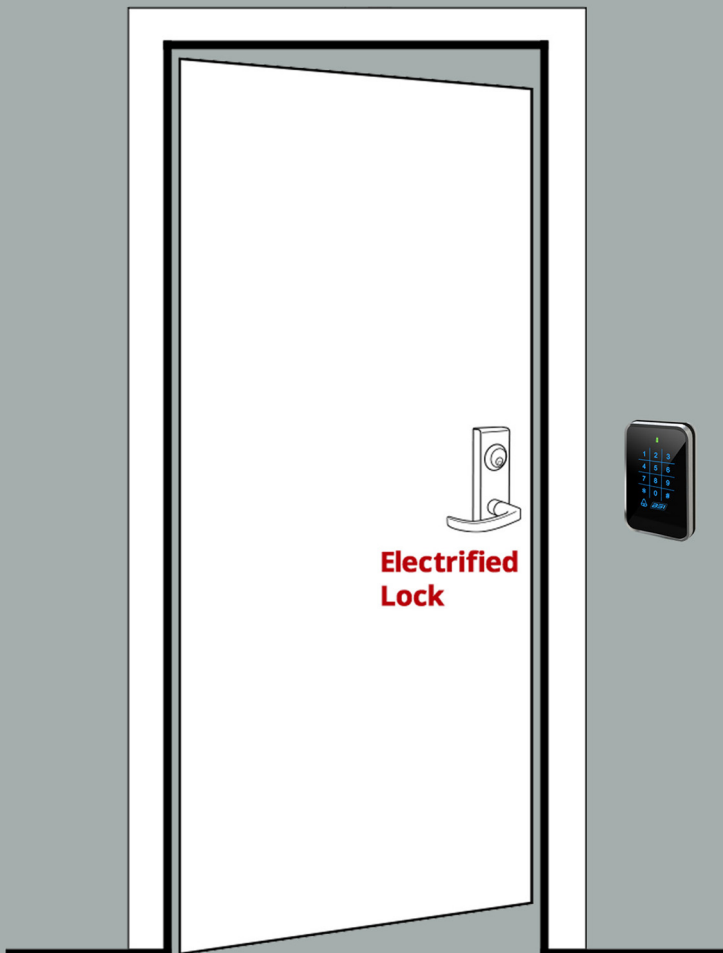




Electrified Lockset





ELECTRIFIED DEVICE

Mortise locks are widely used in both commercial and residential applications. BSI Mortise locks are graded for various applications by ANSI Grade.

ELECTRIFIED MORTISE LOCKSET



GRADE 1



MT5907-S



**MT5985A-S
MT5985A-M**



The latch bolt can be retracted either by using the inside lever or by authorized access from the outside lever.

Dead bolt operated by key outside or inside thumbturn.

Key outside can operate latch bolt.

Turning inside lever can retract both dead bolt and latch bolt simultaneously.

Dead bolt thrown or retracted by inside thumbturn. When dead bolt thrown by inside thumbturn, outside lever become inoperative.

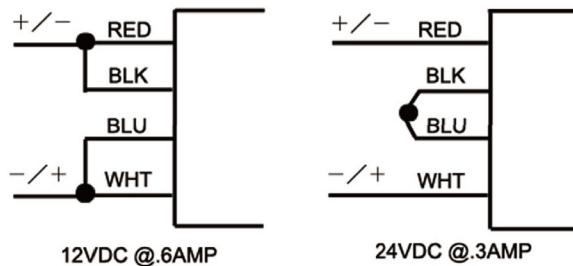
Auxiliary latch deadlocks latch bolt when door is closed.

Option outputs MT5985A-S / MT5907-S

- * REX-Request-To-Exit
- * DPS-Door Position Status Output(not available for MT5985A)
- * LLS-Latched & Locked Status Output

- * ELECTRIC LOCKSET WITH SOLENOID
- * Field Selectable Voltage 12 or 24VDC
- * Field Selectable Mode Failsafe or Failsecure
- * Field Selectable Hand LH, RH, LHR, RHR

STANDARD WIRING
Dual Coil Solenoid



MT5985A-M motor spec. sheet.

Voltage		No Load		Reted Load			Stall Torque (g-cm)	Starting Current (A)
Operating range	Nominal	Speed (r.p.m)	Current (mA)	Speed (r.p.m)	Current (mA)	Torque (g-cm)		
5.0~7.0V	6.0V Constant	197±10%	150 MAX.	170±10%	450 MAX.	350	2300 (min.)	2.6A



5100 GRADE 1 ELECTRIC LEVERSET



GRADE 1



Underwriters Laboratories Inc.®



Trim types



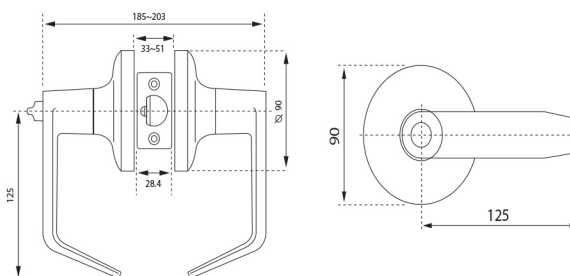
Eclipse rose



Galaxy rose

General Feature

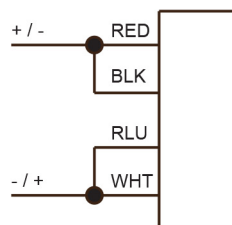
1. 5100 Standard - Certificated by ANSI A156.2-2003.
2. UL listed - Mechanical meets UL 3 hours fire rating.
3. Current draw: 600mA@12VDC, 300mA@24VDC
4. Wide variety of compatible locksets for other famous brands like Schlage, Arrow, Best, Falcon & KSP.
5. Standard Specifications:
 - (1) Lever: zinc, 125mm(From Lock center to Lever end)
 - (2) Rose: Φ 90mm.
 - (3) Door thickness: 35mm~51mm(1"-3/8 ~ 2")
 - (4) Backset: 60mm or 70mm
 - (5) Latch status
6. Clutch Function: The exterior lever have releasing to prevent heavy impact while pressing the lever at locking position.
7. Key latch retraction
8. Finish: US26D, US32D



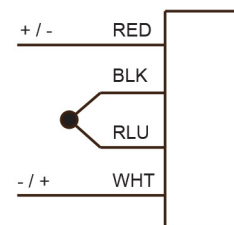
5100-S ELECTRIC LOCKSET WITH SOLENOID

STANDARD WIRING

Dual Coil Solenoid



12 VDC @ .6AMP



24 VDC @ .3AMP

5100-M ELECTRIC LOCKSET WITH MOTOR

MORTOR SPEC. SHEET

No Load		Rated Load		Starting Torque (g-cm)	End Play	Output Shaft	Shaft Direction	Ansi-Static
Speed (r.p.m)	Current (mA)	Speed (r.p.m)	Current (mA)					
16400	<40	12000	<175	>10.5	0.05~0.30	4.0±0.2	CCW	250V 10MΩ

MT6985S EN Electromechanical Lock

Compliance with EN standards

EN 179:2008 - Emergency exit

EN 1634-1:2014 - Fire rated up to 4 hours

EN 12209:2003/ AC:2005 -

Building hardware. Lock and latches.

Mechanically operated locks, latches,
and locking plates

EN 14846:2008 -

Building hardware. Lock and latches.

Electromechanically operated locks, latches,
and locking plates

Application

BSI EN Electromechanical Lock MT6985S consists the range of comprehensive functions that meet most security and locking application. This lock is suitable to be used in commercial or office buildings, public buildings and hotel.

Typical applications are:

- Hotel Room
- Monitoring Door
- Office Door
- Security Door
- Private Door

The lock can meet various area and function requirements. Optional solenoid and motor for multi-usability. Easy egress from inside whilst maintaining outside security.

Features

- Interchangeable handing
- Field selectable Fail Safe / Fail Secure configuration
- Field selectable operating voltage: 12/ 24 VDC
- Self-locking: Dead bolt throws out automatically when the door closed.
- Secured locking: in the locked state the dead bolt is thrown out and the latch need to be locked in position. Door secured locking in two points.
- Adjust lock inside, outside, or both side by removing, or keeping the hub screw.
- Fitted to swing doors, LH/RH, LHR/RHR handing by changing the latch direction.



One-Way Latch



Two-Way Latch

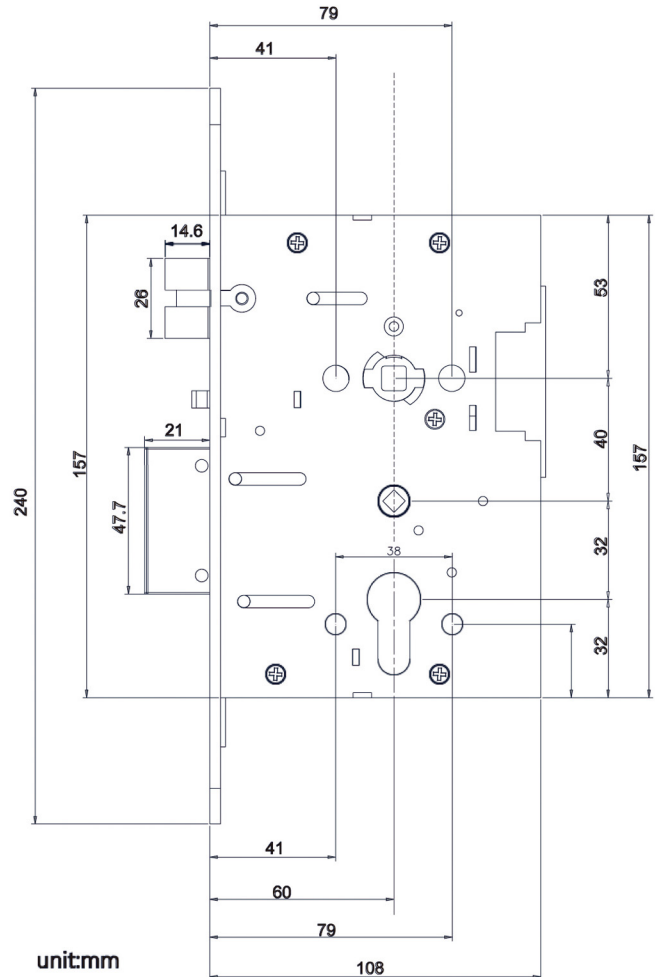


MT6985S EN Electromechanical Lock

Specifications

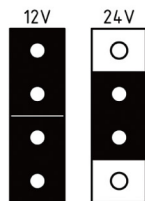
Operation Voltage	12VDC/ 24VDC
Current	Max 0.6 (12VDC), 0.3(24VDC)
Operation Temperature	-20°C ~ 60°C
Bolt Throw	21mm (Deadbolt), 14.6mm (Latch bolt – handy field adjustable)
Backset / Cylinder to Handle	60mm/ 72mm
Forend	24mm
Handle Spindle	8mm
Finish	Satin Stainless Steel
Settable Function	Mechanical function – handing of trigger bolt, electrically controlled side
Electrical Function	Fail Secure / Fail Safe
Monitoring Outputs	a. Latch b. Auxiliary Latch c. Deadbolt d. Cylinder e. Request-to-Exit

Integrated Connector

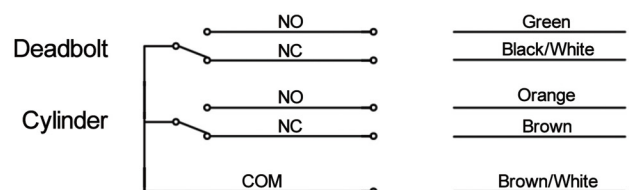
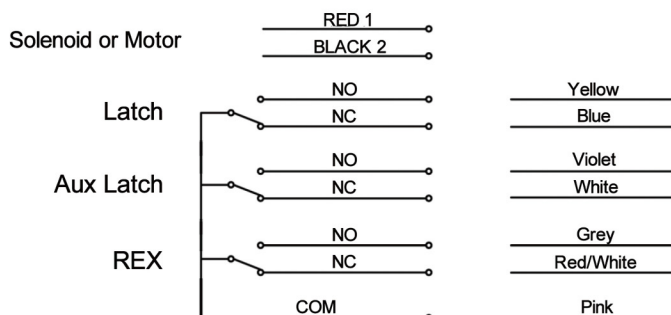


Wiring Diagrams

Power of solenoid 12/24V field selectable by jumper



Power of motor 5V set up by jumper



MT6870

Electrified Anti-Thrust European Mortise Lock

Description

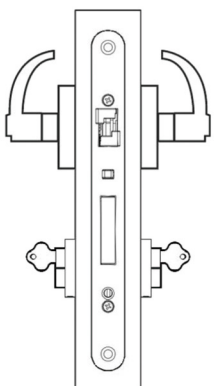
- Deadbolt locking takes place automatically after closing the door, double action latch is blocked and the lock case is secured in two points.
- The auxiliary latch is to prevent unwanted intrusions.
- When it locks outside, inside handle unlocks the lock mechanically (anti-panic exit function).
- The lock can be electrically controlled by access control system, keypad, or push button.
- The lock is recommended to be used in high traffic doors of public buildings, business premises, hospitals, shopping malls, and sports stadiums.
- The lock can be used in exit doors and fire rated doors, also for digital door locks at home.

- EN179:2008 (pending)
- EN1634-1:2014 (pending)
- EN14846:2008 (pending)

Functions

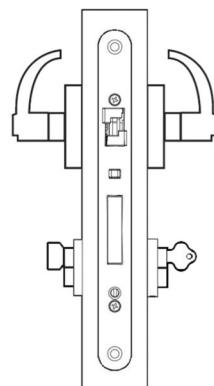
- Mechanical automatic locking.
- 12V/24V, failsafe/failsecure, field reversible, no need to open lock case.
- The degree of turning handle is less than 30°.
- Anti-panic safety function by inside handle.
- Double action latch design for non-handed, left/right.

Variations



Locked Both Sides

Unlocked by an access control, remote control or key from either side.
Field reversible operation.
MT687020
Locked both sides, Failsafe.
MT687022
Locked both sides, Failsecure.



Locked Outside Only

Unlocked by an access control, or key from the outside. Free egress at all times by turning the inside lever handle.
Field reversible operation.
MT687010
Locked outside, Failsafe.
MT687012
Locked outside, Failsecure.



Monitoring Options

- Request-to-exit (REX)
- Cylinder status
- Deadbolt status
- Latch status
- Auxiliary latch status

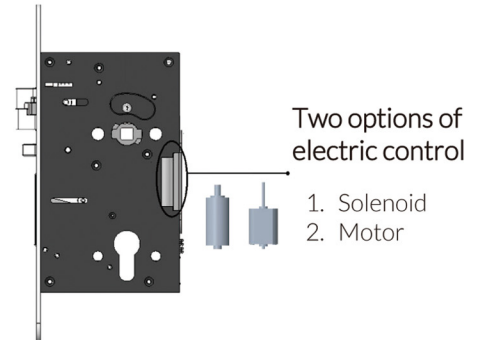


MT6870

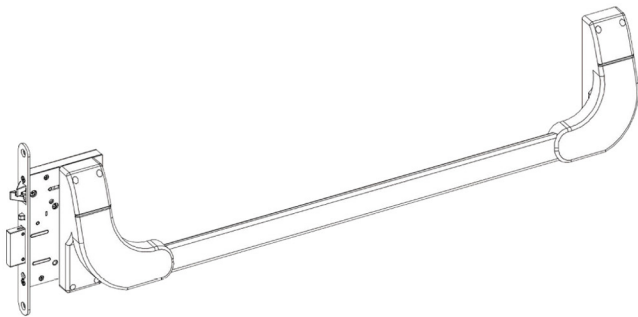
Electrified Anti-Thrust European Mortise Lock

Specification

Electric Control	Either motor, or solenoid
Door Thickness	40mm
Backset available	55/60/65mm
Cylinder to Handle	72mm
Case	90x157x17.6mm, or 105x157x17.6mm
Input	6/12/24VDC \pm 10%
Strike	124mm
Current	70mA@6VDC 600mA@12VDC 300mA@24VDC
Monitoring Contacts	SPDT 5Amps@30VDC Resistive



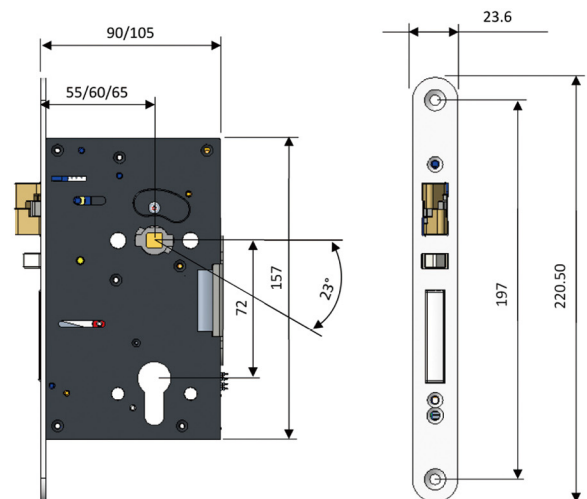
Other Application



6820

Exit Device with Mortise Lockset

Dimension



Turning handle degree is less than 30°

The feature can prevent door left open incidentally in commercial properties where people may be rushing around without pressing handle in wider angle.



MT5985ATM

Electrified Anti-Thrust Mortise Lock

Description

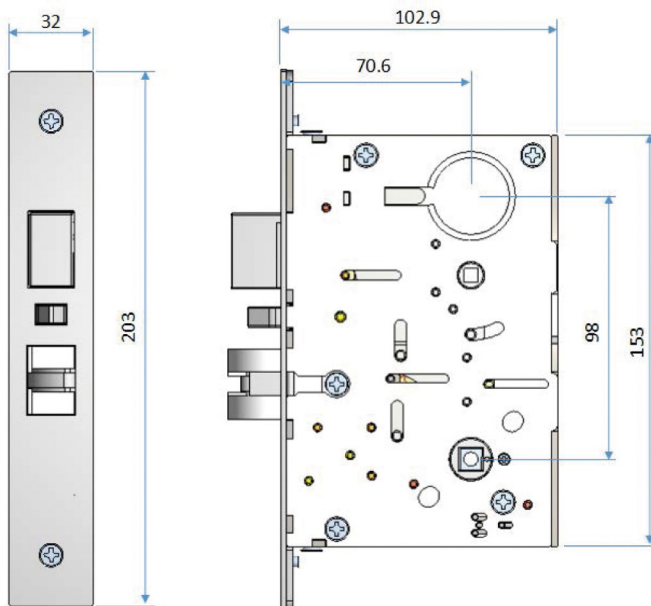
- Deadbolt locking takes place automatically after closing the door, the latch is blocked and the lock case is secured in 2 points.
- The lock can replace most brands of mechanical or electrified locksets for retrofit applications.
- The electric mortise lock can stay latched even when unlocked, maintaining fire door integrity, or request-to-exit devices.
- The lock can be electrically controlled by access control system, keypad, or push button.
- The lock can be used in exit doors, and fire-rated doors, also digital door lock for home.

- BHMA/ANSI Grade 1 (pending)
- UL 3 hour fire rated (pending)

Functions

- Mechanical automatic locking.
- 12V/24V, failsafe/failsecure, field reversible, no need to open lock case.
- Handy field reversible.

Dimension



Monitoring Options

- Request-to-exit (REX)
- Door position status (DPS)
- Latch status
- Cylinder status
- Deadbolt status



MT5985ATM

Electrified Anti-Thrust Mortise Lock

Applications

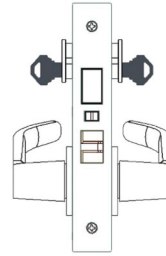
Locked Both Sides

Unlocked by an access control, remote control or key from either side.

Field reversible operation.

MT5985ATM20 Locked both sides, Failsafe.

MT5985ATM22 Locked both sides, Failsecure.



Set failsafe or failsecure mode without physically open the lock case.

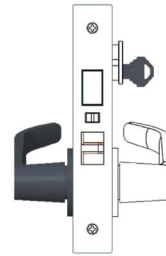
Locked Outside Only

Unlocked by an access control, or key from the outside. Free egress at all times by turning the inside lever handle.

Field reversible operation.

MT5985ATM10 Locked outside, Failsafe.

MT5985ATM12 Locked outside, Failsecure.



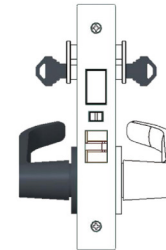
Set failsafe or failsecure mode without physically open the lock case.

Locked Outside Failsecure, Inside Failsafe

Unlocked by an access control, remote control or key from either side. Failsafe/failsecure operation for special door requirement.

MT5985ATM02 Locked outside and/or inside.

Failsecure outside, failsafe inside.



Set failsafe or failsecure mode without physically open the lock case.

Specification

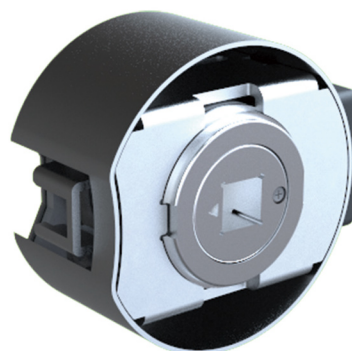
Door Thickness	1-3/4" (45mm)
Backset	2-3/4" (70mm)
Faceplate	8-1/32"x1-5/16"x7/32" (204x33x5.5mm)
Case	6"x4"x1" (152.4x101.6x25.4mm)
Latchbolt	3/4" (19.05mm) Throw
Deadbolt	1" (25.4mm) Throw
Strike	4-7/8" (124mm)
Input	6/12/24VDC ± 10%
Current	400mA-500mA (±10%)
Monitoring Contacts	SPDT 5Amps@30VDC Resistive

4200

Cylindrical Latch Smart Door Lock

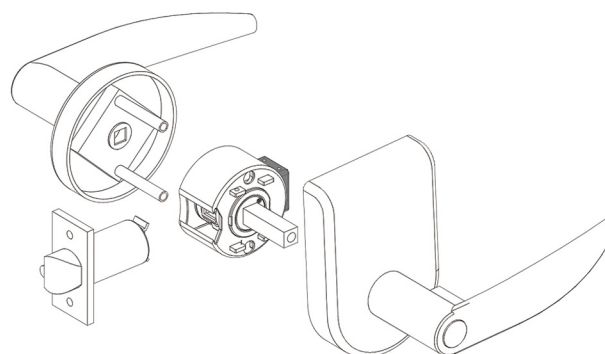
Description

- With 4200 motorized cartridge latch, you can upgrade existing traditional knob sets with a state of art access control reader.
- Lockset is normally secure.
- Inside lever always allows free egress.

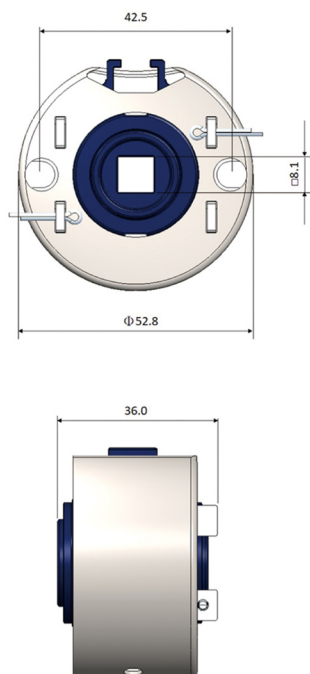


Specification

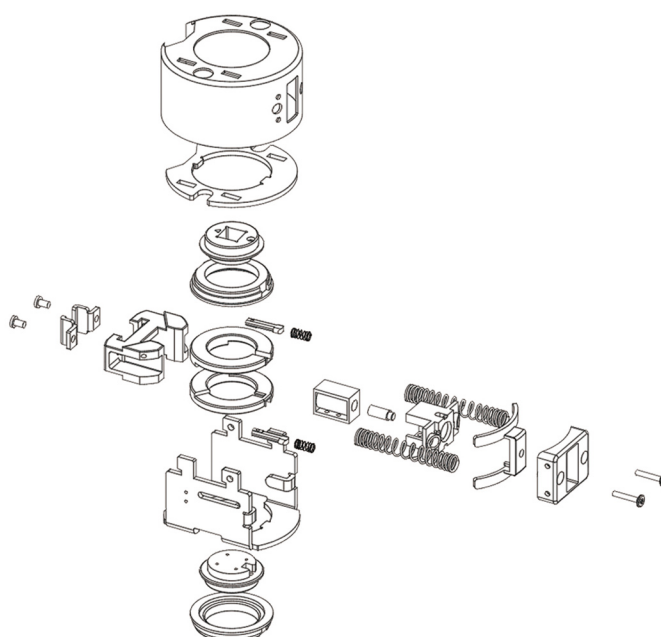
Card capatibility	Mifare 13.56MHz/ISO 14443A
Capacity	200 users (user codes & cards)
Door thickness	35 to 51 mm
Backset	36 or 70 mm
Power Supply	3V
Working Temperature	-20°C to 70°C (-4°F to 158°F)



Dimensions



Explosion View









BSI Agent

KEYLINE CONSULTING SDN BHD

 Ground Floor, Wisma Pineapple, Lot 135, Jalan
1/89B, 3 1/2 Miles Off Jalan Sungai Besi, 57100
Kuala Lumpur, Malaysia

 info@keyline.com.my

 Joey See +6012 2065362
Michael Pan +6012 2023099



BSI Security Co., Ltd

 sales@bsi-hardware.com

 www.bsi-hardware.com